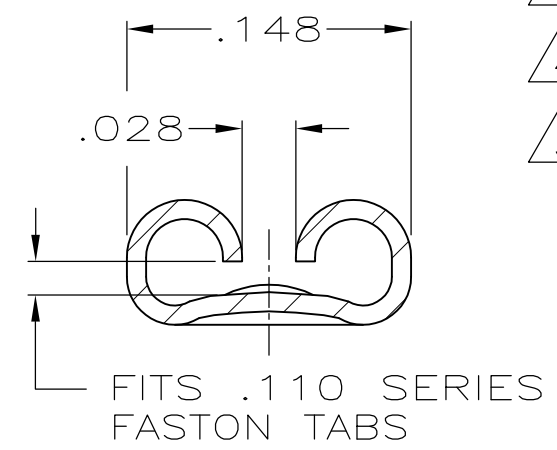
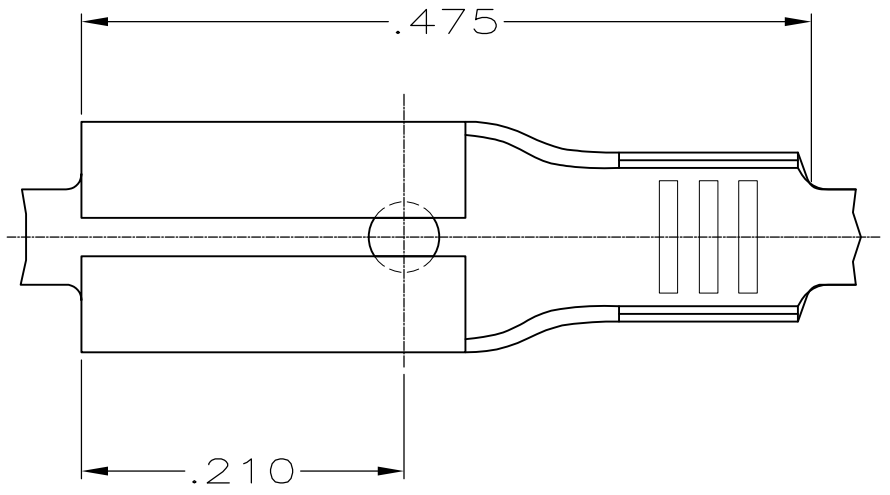


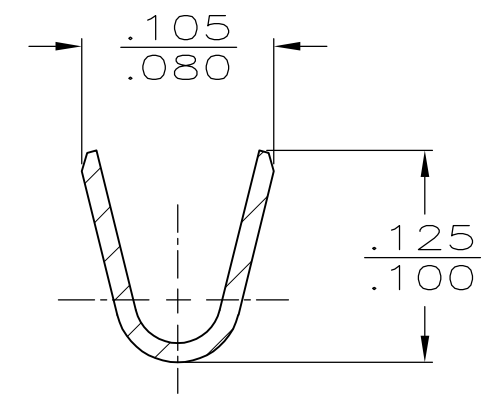
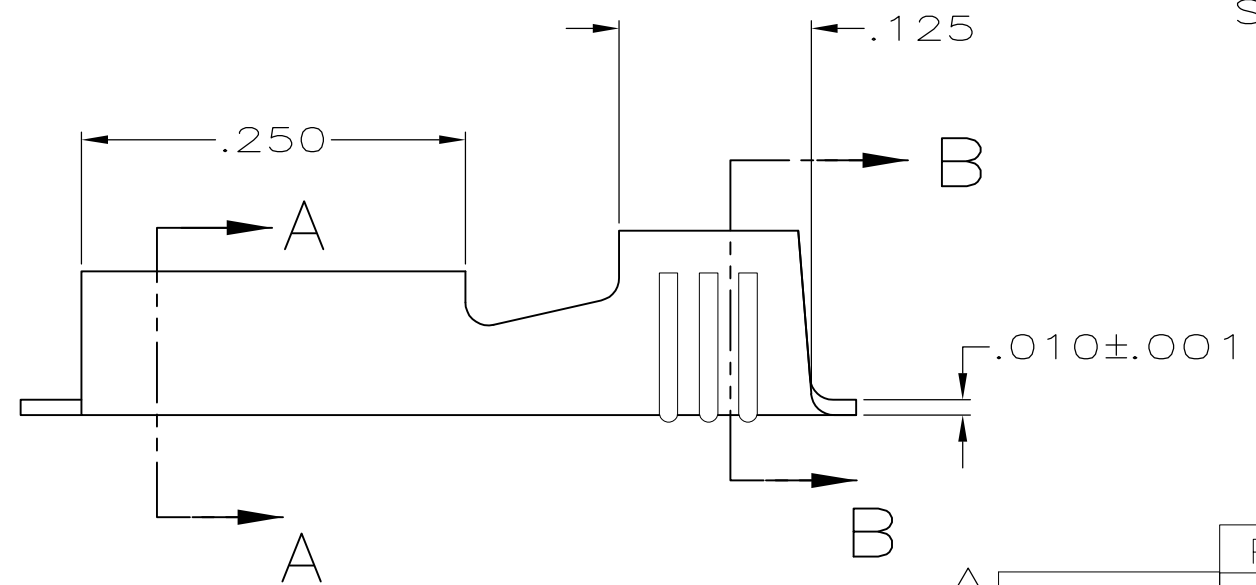
THIS DRAWING IS UNPUBLISHED. RELEASED FOR PUBLICATION
 © COPYRIGHT - By - ALL RIGHTS RESERVED.

LOC	DIST	REVISIONS					
AF	50	P	LTR	DESCRIPTION	DATE	DWN	APVD
			W	REVISED PER ECR-12-013445	18OCT12	KH	PD

- 1 CONTINUOUS STRIP ON REELS
- 2 FEED TO BE $.535 \pm .005$.
- 3 REVERSE REELING W/ PAPER INTERLEAVING
- 4 PRELIMINARY - NOT FOR PRODUCTION
- 5 OBSOLETE PARTS: OBSOLETE CIS STREAMLINING PER D.RENAUD/D.SINISI



SECTION A-A
SCALE 10:1



SECTION B-B
SCALE 10:1

5 OBSOLETE	PRE-TIN	20-18 or (2) #20's	.020	3 4 42399-5
	-			42399-2
	PRE-TIN			42399-1
	FINISH			PART NO
			MATING TAB THK ±.001	

THIS DRAWING IS A CONTROLLED DOCUMENT.		DWN	JR RUTH	4/1/91	STE TE Connectivity		
DIMENSIONS: INCHES		CHK	MS FEHER	4/1/91			
TOLERANCES UNLESS OTHERWISE SPECIFIED:		APVD	C MEYERS	4/1/91	NAME		
0 PLC ± -		PRODUCT SPEC	-	-			
1 PLC ± -		APPLICATION SPEC	-	-	CAGE CODE		
2 PLC ± -							
3 PLC ± .015					RESTRICTED TO		
4 PLC ± -							
ANGLES ± -					SHEET		
MATERIAL		FINISH	BRASS	SEE TABLE			
					REV		